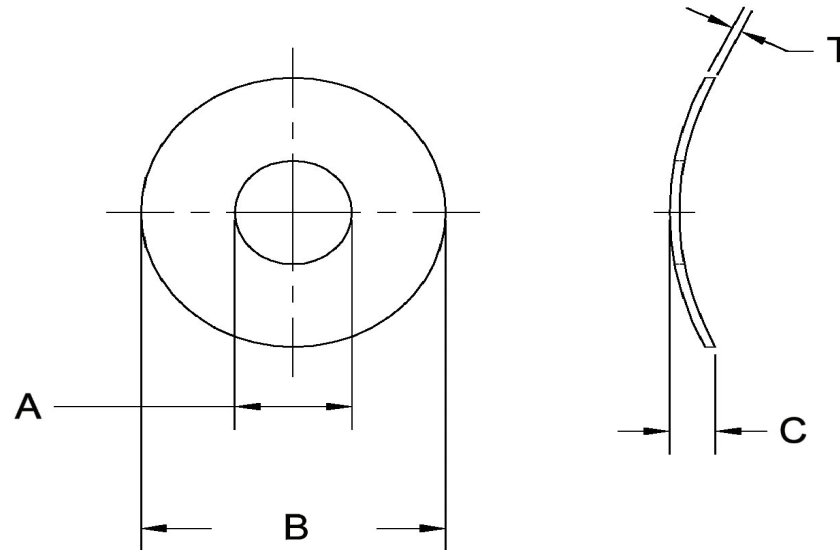


A+/-0.005	B+/-0.01	C+/-0.008	T+/-0.001	Max Load (LBS)†	Spring Rate (LBS/IN.)†
0.262	0.378	0.062	0.010	3.608	158.933



†Calculated value, not tested, not guaranteed



SEASTROM MANUFACTURING CO., INC.
 456 SEASTROM STREET
 TWIN FALLS, IDAHO 83301
 (208) 737-4300 FAX (208) 734-7222

ALL INFORMATION
 COPYRIGHTED BY
 SEASTROM MFG. ©

PART NO.:	5804-39-1
PART NAME:	Washers, Spring, Crescent Shape
MATERIAL:	Beryllium Copper
HEAT TREAT:	Please refer to Material & Finish Specifications in Engineering Resources
FINISH:	None

Dimensions in Inches